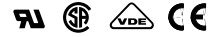


REVERSIBLE MOTORS

Single-Phase

20W (1/37 HP)

Frame Size 3.15 in.sq. (80mm sq.)



Specifications — 30 Minutes Rating

| Model | | Output Power | | Voltage | Frequency | Current | Starting Torque | | Rated Torque | | Rated Speed | Capacitor |
|--------------------|--------------------|--------------|----|---------|-----------|---------|-----------------|------|--------------|------|-------------|-----------|
| Pinion Shaft Type | Round Shaft Type | HP | W | V AC | Hz | A | oz-in | mN·m | oz-in | mN·m | r/min | μF |
| 4RJ20GB-AUL | 4RJ20A-AULA | 1/37 | 20 | 115 | 60 | 0.48 | 14.6 | 105 | 18.7 | 135 | 1500 | 6.0 |

- Values shown for starting torque and rated torque are measured for operation without the brake applied.
- The product contains a built-in thermal protector. When a motor overheats for any reason, the thermal protector is opened and the motor stops. When the motor temperature drops, the thermal protector closes and the motor restarts. Be sure to turn the motor off before inspecting.

Gearmotor—Torque Table

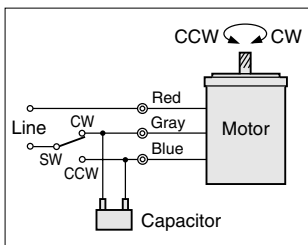
The permissible torque with decimal gearhead with a gear ratio of 10 is 43.4 lb-in (5N·m).

Unit = Upper values: lb-in / Lower values: N·m

| Model | Speed r/min | | Gear Ratio | | | | | | | | | | | | | | | | | | | | | |
|-----------------------------|-------------|------|------------|------|------|------|-----|-----|-----|-----|-----|-----|-----|----|----|----|----|----|----|----|-----|----|----|----|
| | 600 | 500 | 360 | 300 | 240 | 200 | 144 | 120 | 100 | 72 | 60 | 50 | 36 | 30 | 24 | 20 | 18 | 15 | 12 | 10 | 7.2 | 6 | 5 | |
| 4RJ20GB-AUL / 4GB□KA | 2.8 | 3.4 | 4.7 | 5.7 | 7.1 | 8.5 | 12 | 14 | 17 | 21 | 26 | 31 | 39 | 43 | 43 | 43 | 43 | 43 | 43 | 43 | 43 | 43 | 43 | 43 |
| | 0.33 | 0.39 | 0.55 | 0.66 | 0.82 | 0.98 | 1.4 | 1.6 | 2.0 | 2.5 | 3.0 | 3.5 | 4.5 | 5 | 5 | 5 | 5 | 5 | 5 | 5 | 5 | 5 | 5 | 5 |

- Gearheads are sold separately.
- Enter the gear ratio in the box (□) within the model number. A colored background indicates gear shaft rotation in the same direction as the motor shaft; a white background indicates rotation in the opposite direction.
- The speed is calculated by dividing the motor's synchronous speed (60 Hz: 1800 r/min) by the gear ratio. The actual speed is 2 ~ 20% less than the displayed value, depending on the size of the load.

Wiring Diagram



To rotate the motor in a clockwise (CW) direction, flip switch SW to CW.
To rotate it in a counterclockwise (CCW) direction, flip switch SW to CCW.

The direction of motor rotation is as viewed from the shaft end of the motor.

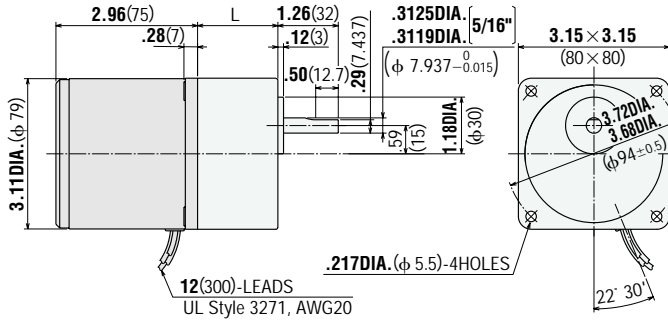
■ Dimensions Scale 1/4, Unit = inch (mm)

4RJ20GB-AUL

Weight (Mass): 3.1 lb.(1.4 kg)

/ 4GB□KA

Weight (Mass): 1.43 lb.(0.65 kg)

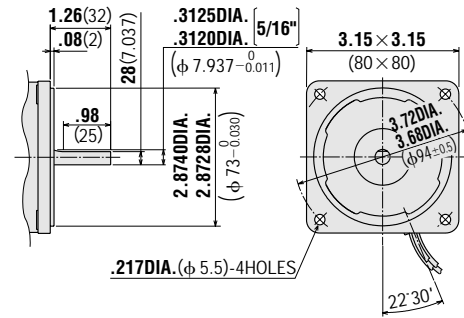


L = 1.26(32) **4GB3KA~18KA**

L = 1.67(42.5) **4GB25KA~360KA**

4RJ20A-AULA Round Shaft Type

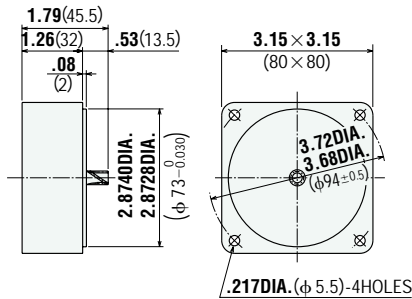
Weight (Mass): 3.1 lb.(1.4 kg)



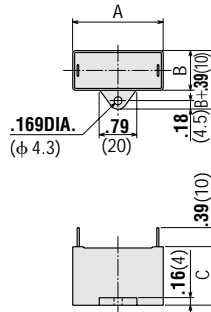
● Decimal Gearhead

4GB10XK

Weight (Mass): 0.77 lb.(0.35 kg)



● Capacitor (included with the motor)



| Motor Model | Capacitor Model | Dimensions inch (mm) | | | Weight (Mass) oz (g) |
|-------------|-----------------|----------------------|------|------|----------------------|
| | | A | B | C | |
| 4RJ20GB-AUL | CH6OUL | 1.50 | 0.75 | 1.14 | 1.1 (30) |
| 4RJ20A-AULA | | (38) | (19) | (29) | |

If you need to order a capacitor without a motor, add "-C" to the capacitor model number shown. A capacitor cap is always included with a capacitor.

■ Accessories

● Motor Mounting Brackets

Optional die-cast aluminum mounting brackets are available. They can be used to install motors without gearheads. See page [A-266] for the dimensions.

Model name **SOL4U10**



● Flexible Couplings

Optional clamping couplings are available. See page[A-260] for the dimensions.

